



'S' SERIES SELF-PRIMING CENTRIFUGAL PUMP

A high performance transfer pump powered by
Honda's GX Series OHV engine



Pump:

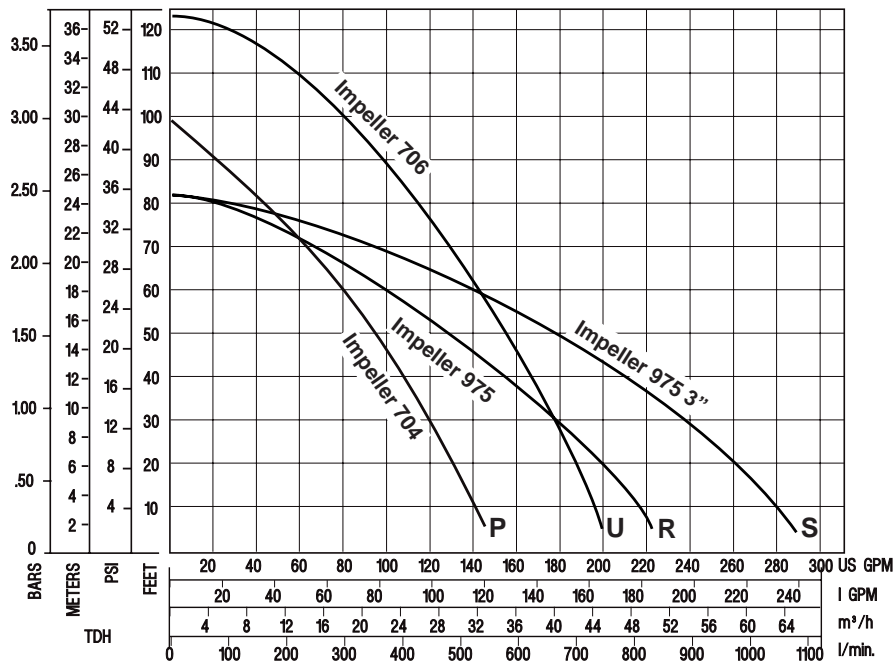
- Constructed of corrosion-resistant polyester
- Stainless steel fasteners throughout
- EPDM elastomer (BUNA and Viton® available)
- Stainless steel shaft seal with carbon and ceramic faces
- Your choice of 2" or 3" ports
- Shut off pressure 52 PSI
- Suction lift to 25 ft. (7.6m)
- Flows to 280 GPM

Engine:

- 5.5 HP Honda Series GX160
- Overhead valve design
- Fast, easy, reliable starting
- Meets CARB and EPA emission standards
- Cast iron cylinder sleeve
- Electronic ignition
- Oil alert low oil shut off

Viton is a registered trademark of DuPont Dow elastomers.

PERFORMANCE CURVES



CURVE	MODEL	PORT SIZE	MAX FLOW	MAX TDH	WEIGHT
P	SE2PL E5HCP	2" NPT	145 GPM	100 ft.	50 lbs.
U	SE2UL E5HCP	2" NPT	200 GPM	126 ft.	50 lbs.
R	SE2RL E5HCP	2" NPT	230 GPM	83 ft.	50 lbs.
S	SE3SL E5HCP	3" NPT	280 GPM	83 ft.	55 lbs.

PACER PUMPS

Division of ASM Industries, Inc.
41 Industrial Circle Lancaster, PA 17601-5927 U.S.A.
e-mail: sales@pacerpumps.com
www.pacerpumps.com

717-656-2161
800-233-3861
FAX: 717-656-0477

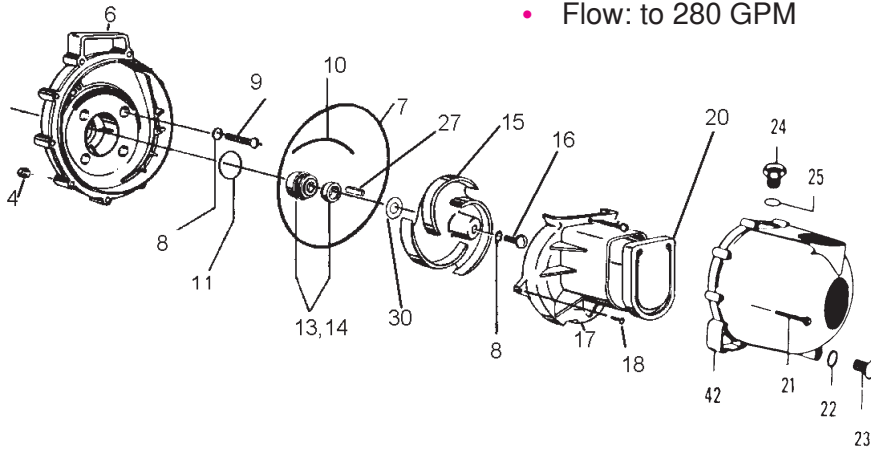


CARING FOR PACER PUMPS:

When handling agricultural fertilizer and chemicals, flush pump with fresh, clean water immediately after use. Before storing pump, flush with fresh, clean water and drain completely.

EPDM rubber components are not compatible with petroleum products. Do not use petroleum products when preparing pump for storage.

- Housing, volute and impeller: glass-reinforced polyester
- Rubber parts: EPDM (BUNA and Viton available)
- Shaft seal: Stainless steel with carbon and ceramic faces, EPDM fitted.
- Hardware: Internal and external stainless steel fasteners
- Working pressure: to 52 psi
- Flow: to 280 GPM



PARTS LIST FOR MODEL NOS. SE2PL, SE2UL, SE2RL and SE3SL

REF NO.	DESCRIPTION	QTY/PUMP	SE2PL	SE2UL	SE2RL	SE3SL
4	Body nut (pre 2007)	10	58-0721 10	58-0721 10	58-0721 10	58-0721 10
6	Bracket	1	58-0703 30B	58-0703 30B	58-0703 30B	58-0703 30B
7	Body O-ring	1	58-0719 72	58-0719 72	58-0719 72	58-0719 72
8	Screw O-ring	5	58-0717 72	58-0717 72	58-0717 72	58-0717 72
9	Bracket screw	4	58-0715 10	58-0715 10	58-0715 10	58-0715 10
10	O-ring segment	1	58-0754 72	58-0754 72	58-0754 72	58-0754 72
11, 13 & 14	Shaft seal & O-ring	1	58-0714 12	58-0714 12	58-0714 12	58-0714 12
15	Impeller	1	58-0704 30	58-0706 30	58-0975 30	58-0975 30
16	Impeller screw	1	58-0716 10	58-0716 10	58-0716 10	58-0716 10
17	Volute	1	58-0702 30	58-0702 30	58-0977 30	58-0977 30
18	Side volute screw	As Req'd	58-0725 10	58-0725 10	58-0725 10	58-0725 10
20	Check valve	1	58-0705 72	58-0705 72	58-0705 72	58-0705 72
21	Body screw 2-7/16" (old)	10	58-0720 10	58-0720 10	58-0720 10	58-0720 10
	Body screw 2" (new)	10	58-1206 10	58-1206 10	58-1206 10	58-1206 10
22	O-ring, drain plug	1	58-1009 72	58-1009 72	58-1009 72	58-1009 72
23	Drain plug	1	58-0723 30	58-0723 30	58-0723 30	58-0723 30
24	Filler plug	1	58-0722 30B	58-0722 30B	58-0722 30B	58-0722 30B
25	O-ring, filler plug	1	58-0765 72	58-0765 72	58-0765 72	58-0765 72
27	Key	1	58-0718	58-0718	58-0718	58-0718
30	Shim (.006)	As Req'd	58-0778 11	58-0778 11	58-0778 11	58-0778 11
	" (.015)	"	58-0778 12	58-0778 12	58-0778 12	58-0778 12
	" (.030)	"	58-0778 13	58-0778 13	58-0778 13	58-0778 13
42	Body	1	58-1002 30B	58-1002 30B	58-1002 30B	58-0755 30B

Note: This parts list is intended for EPDM fitted pumps only