



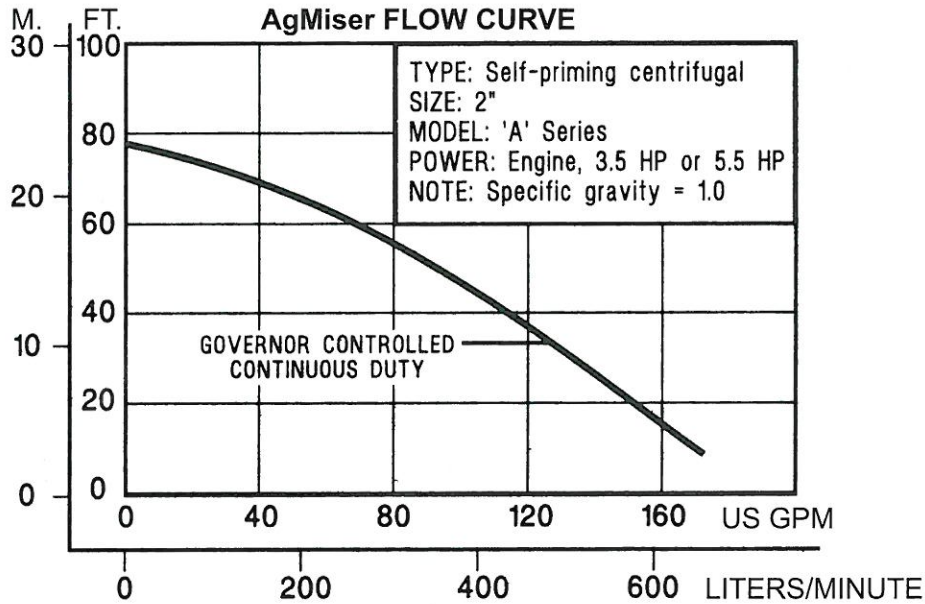
SELF-PRIMING CENTRIFUGAL PUMPS

AgMiser Series

A proven design serving agriculture on five continents.

FEATURES:

- Corrosion resistant polyester pump. (Polypropylene is optional)
- Capacities to 166 US GPM. (628 LPM)
- Total head to 80 feet. (24.4 meters)
- Self-priming to 20 feet. (6.1 meters)
- 2" NPT female ports. (Polyester also available with 2" BSP threaded ports)
- Built-in check valve.
- EPDM rubber parts are standard, Buna-N and Viton® are also available.
- Available gasoline engines ranging from standard to commercial duty.
- Electric, hydraulic and pneumatic motors are available as optional drive choices. (Consult factory)



PUMP SPECIFICATIONS

| MODEL | PORT SIZE | MAX. FLOW | MAX. TDH | ENGINE | MAX. S.G. | WT. |
|-------------|-----------|-----------|----------|-----------------|-----------|---------|
| AEB2WL E4C | 2" NPT | 166 GPM | 80 ft. | B&S Series 550* | 1.2 | 40 lbs. |
| AEB2WL E5IC | 2" NPT | 166 GPM | 80 ft. | B&S Series 900* | 1.5 | 50 lbs. |
| AEB2WL E5HC | 2" NPT | 166 GPM | 80 ft. | Honda GX 160* | 1.5 | 50 lbs. |

* All gasoline engines are current or equivalent B&S or Honda models



41 Industrial Circle
 Lancaster PA 17601-5927
 www.pacerpumps.com
 Email: sales@pacerpumps.com

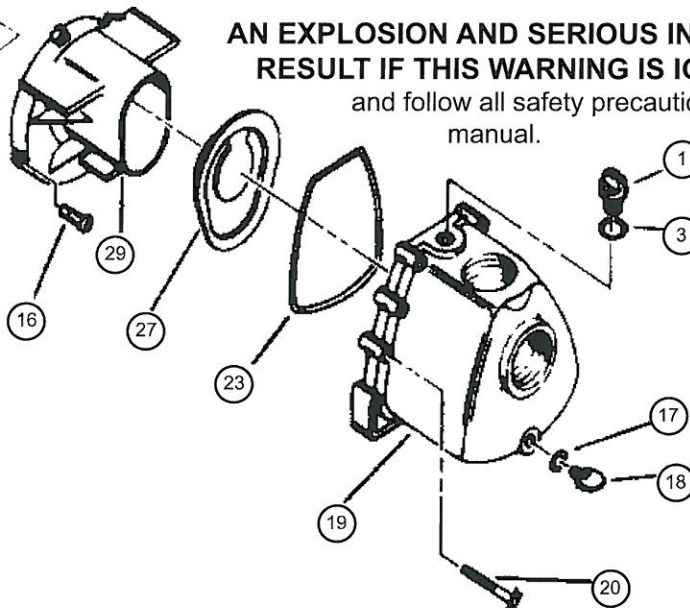
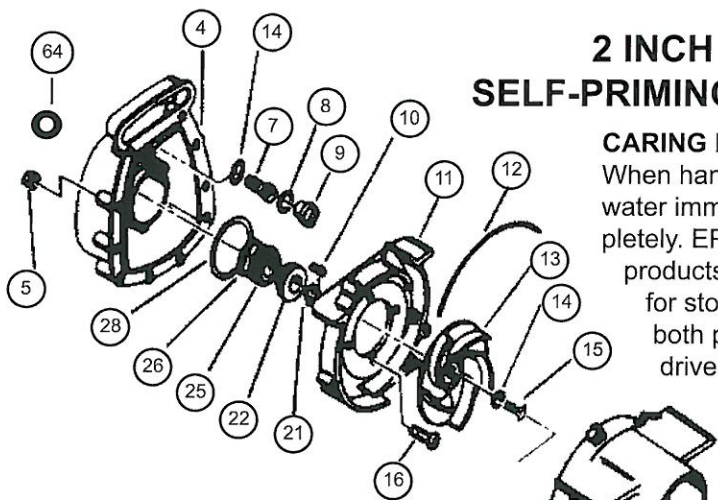
800-233-3861
 717-656-2161
 Fax: 717-656-0477

2 INCH AGMISER SERIES SELF-PRIMING CENTRIFUGAL PUMP

CARING FOR PACER PUMPS:

When handling chemicals or corrosives, flush pump with fresh, clean water immediately after use. Before storing pump, flush and drain completely. EPDM rubber components are not compatible with petroleum products. Do not use petroleum products when preparing pump for storage. Always consult factory for chemical compatibility of both plastic and rubber components. Never use gasoline engine driven pumps for pumping flammable liquids such as gasoline.

AN EXPLOSION AND SERIOUS INJURY MAY RESULT IF THIS WARNING IS IGNORED! Read and follow all safety precautions in operators manual.



CHOOSE THE LEADER

PARTS LIST FOR MODEL NO. AEB2WL (E4C, E5IC & E5HC)

| REF. NO. | DESCRIPTION | QTY./PUMP | PART NO. |
|-------------|--------------------------|-------------|-----------------------------|
| 1 | Filler Plug | 1 | P-58-0722 30B |
| 3 | O-ring, Filler Plug | 1 | P-58-0765 72 |
| 4 | Bracket | 1 | P-58-1262 30B |
| 5 | Body Nut | 10 | P-58-0721 |
| 7 | Bracket Screw | 4 | P-58-0715 10 |
| 10 | Key | 1 | P-58-0718 |
| 11 | Rear Volute | 1 | P-58-1302 30 |
| 12 | O-ring Segment | 1 | P-58-1246 72 |
| 13 | Impeller | 1 | P-58-0683 30 |
| 14 | O-ring, Screw | 5 | P-58-0717 72 |
| 15 | Impeller Screw | 1 | P-58-0716 10 |
| 16 | Volute Screw | 7 | P-58-1348 10 |
| 17 | O-ring, Drain Plug | 1 | P-58-1009 72 |
| 18 | Drain Plug | 1 | P-58-0723 30 |
| 19 | Body | 1 | P-58-1261 30B |
| 20 | Body Screw | 10 | P-58-0720 |
| 21 | Shim | as required | P-58-0778 11 (.006) |
| | " | " | P-58-0778 12 (.015) |
| | " | " | P-58-0778 13 (.030) |
| 22, 25 & 26 | Shaft Seal & O-ring | 1 | P-58-0714 12 |
| 23 | O-ring, Body | 1 | P-58-1926 72 |
| 27 | Check Valve | 1 | P-58-1872 72 |
| 28 | O-ring, Volute | 1 | P-58-1203 72 |
| 29 | Front Volute | 1 | P-58-1303 30 |
| 64 | Engine Protection Gasket | 1 | P-58-0933 72 (E4C) |
| " | " | 1 | P-58-0881 72 (E5IC & E5HCP) |